



# PAV-8 - Rotary Airlock

**HEAVY DUTY SERIES ROTARY AIRLOCK VALVE**



## PRATER 8" ROTARY AIRLOCK

### AVAILABLE FEATURES

- Air purged seals
- Food grade Teflon seals
- Food grade white epoxy paint
- 304 or 316 stainless steel body & rotor
- Hastelloy body and rotor
- Shear pins / Zero speed switch
- High temp bearings & seals for operation to 1100° F
- Wear & corrosion resistant coatings
- Inlet baffle / Inlet v-plow for shear protection
- Discharge adapter / Finger guards
- Bolt on or flexible tips
- Vented pockets / Vented housing
- Die cut flange gaskets
- Manual hand crank or pneumatic maintenance gates available
- Drive: 3/4 HP, TEFC, or TEXP / Various voltages available



- Constructed of high strength cast iron or stainless steel body & end plates
- 8 blade, mild steel, open-end rotor with welded pocket bottoms
- Self-adjusting, maintenance-free packing gland assemblies
- Outboard mounted, maintenance-free bearings
- Universal flanges custom-drilled at no extra charge
- Complimentary temperature compensation
- End plates pre-drilled & tapped for optional shaft air purge
- Quick and easy end plate removal using included jack bolt holes
- Operating temperature up to 500° F with standard components
- Keyed shaft extension for most drive assemblies
- Premium, 3/4 HP, inverter duty, helical gear motor
- Standard models in stock

**NFPA-69**  
**MSHA**  
**V-Plow**  
**10-Bar**  
**PSR11**  
**CSA**

**THE ONLY AIRLOCK  
 IN NORTH AMERICA TO BE  
 TESTED & CERTIFIED  
 TO COMPLY WITH NFPA-69**



[praterindustries.com](http://praterindustries.com)

**Capacity:**

Theoretical: 0.30 cu. Ft.  
(8.5 L) / rev.  
Practical: 0.24 cu. Ft.  
(6.8 L) / rev.

**Housing:**

Material: Gray Cast Iron  
Thickness: 0.5" x 0.31"  
12.7 x 7.9 mm

**Flanges:**

Square Outline: Drilled  
Round or Square  
Inlet Size: 8.0" / 203 mm  
Outlet Size: 8.0" / 203 mm  
Thickness: 0.44" / 11.1 mm

**Bearings:**

Type: Ball Bearing  
Size: 1.188" / 30.16 mm  
Life Rating L-10: > 60,000 hours  
Outboard Mounted: Yes

**Shaft:**

Material: Mild or Stainless Steel  
Drive Stub Shaft D: 1.188" / 30.16 mm  
Packing Seal: Abrasion Resistant

**Drive Includes:**

.75 Hp, 60Hz, 3 Ph  
230/460 V. Motor, Motor Base  
Gear Reducer, Chain Drive  
TEFC & OSHA Guard

**Approx. Weight & Dimensions:  
Airlock Only**

Length: 21-15/16" / 557 mm  
Width: 12.0" / 305 mm  
Height: 12.0" / 305 mm  
Weight: 110 lbs / 50 kg  
Shipping Weight: 150 lbs / 68 kg

**With Drive & Standard Guard:**

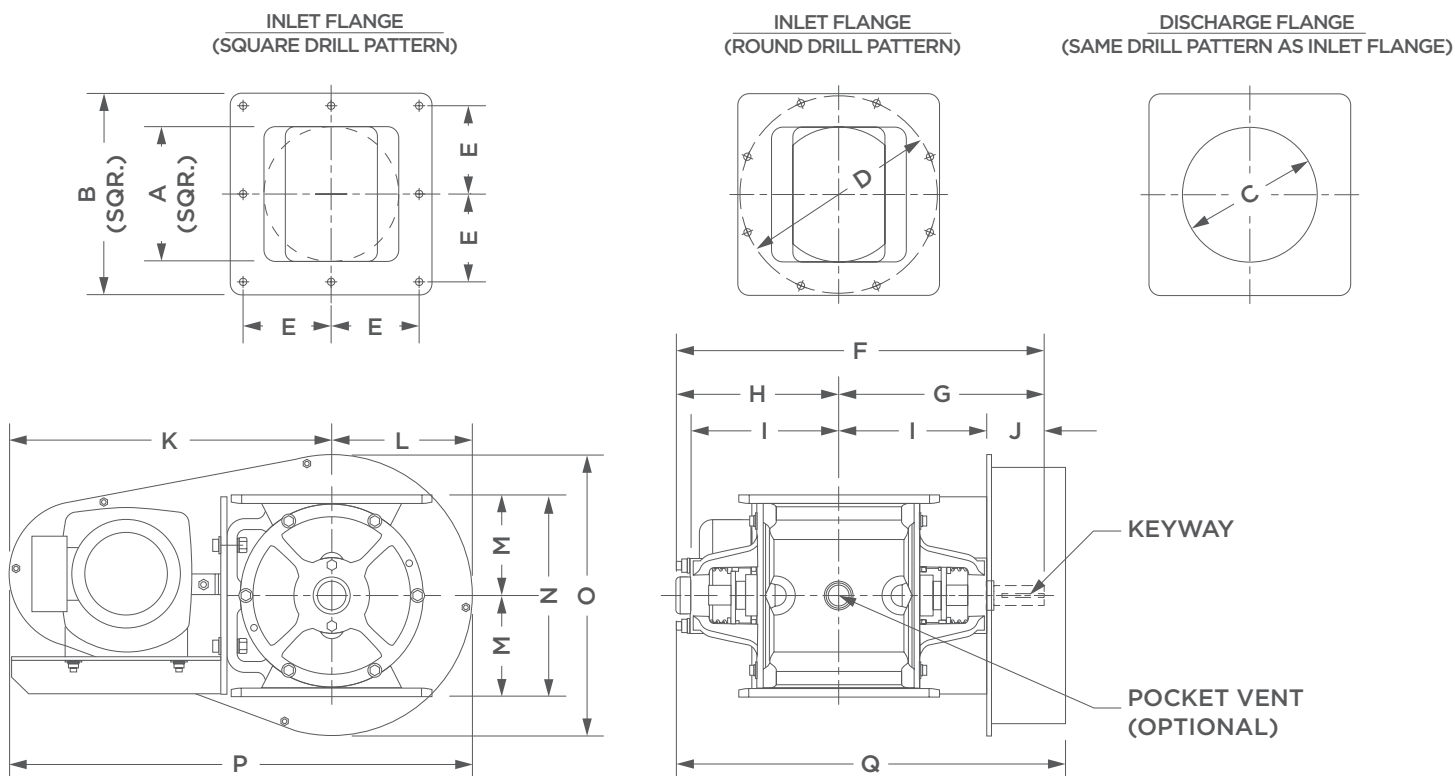
Length: 27-1/4" / 692 mm  
Width: 23-1/16" / 586 mm  
Height: 16-3/4" / 425 mm  
Weight: 215 lbs / 98 kg  
Shipping Weight: 255 lbs / 116 kg

**Sound Level:**

< 75 db scale A

**Paint:**

Primer: Gray Chromate  
Finish: White, Urethane



MODEL	DISPLACEMENT (CU. FT./REV)	A	B	C	D	E	F	G	H	I	J	K	L	M	N	O	P	Q	HOLE (QTY)	KEYWAY W X D	DRIVE SHAFT DIA.	FLANGE THK.	WEIGHT (LBS)	WEIGHT W/ DRIVE (LBS)
PAV-8	.30	8	12	8	11 3/4	5 1/4	21 15/16	12 1/4	9 11/16	8 13/16	3	19 1/4	8 3/8	6	12	16 3/4	27 1/4	23 1/16	8	1/4 x 1/8	1 3/16	7/16	110	215



2 Sammons Court, Bolingbrook, IL 60440  
1-877-AIRLOCK (247-5625) • [praterindustries.com](http://praterindustries.com)